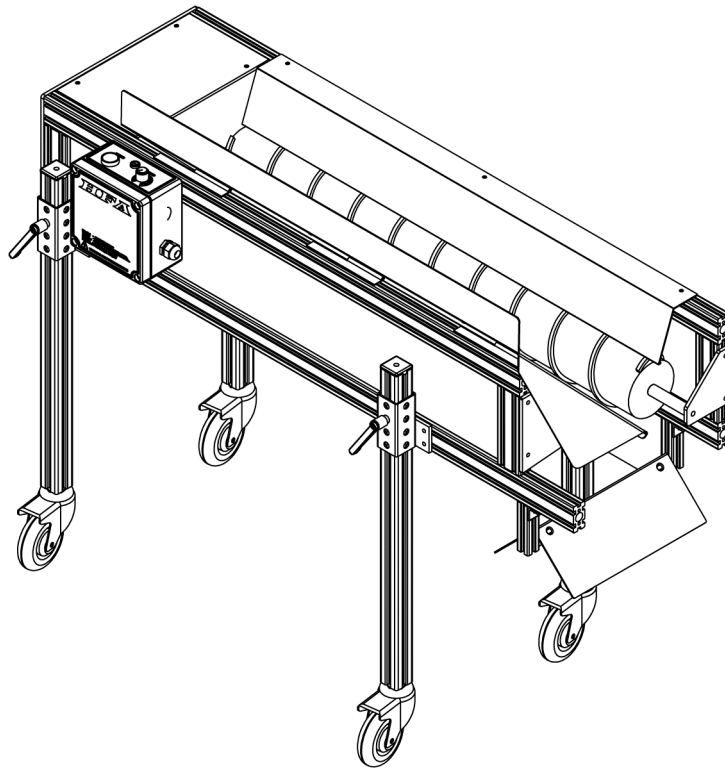


HIFA

AS-36 AUGER SEPARATOR OWNERS MANUAL



INTRODUCTION

Thank you for choosing Harvard Factory Automation Inc. as your automation supplier. We are committed to providing you with the most innovative, highest quality products in the industry.

If you have any problems, questions, or comments, please feel free to call us at (815) 943-1193.

TABLE OF CONTENTS

Safety Information	2
Unpacking Instructions.....	3
Leg Assembly	4
Tray Adjustments	5
Motor/Clutch Assembly	6
AS-36 Exploded View.....	7
Replacement Parts.....	8
Options	8
Limited Warranty	9

SAFETY INFORMATION

Disconnect power from the unit before servicing or adjusting any part of the unit!

Disconnect power from the unit before removing any guarding, covers, rails or accessories!

Disconnect power from the unit before making any adjustments to the electrical components!

Have a qualified service technician install, adjust, and service this equipment.

Follow all applicable electrical and safety codes, including the provisions of the Occupational Safety and Health Act (OSHA) when installing equipment.

Additional safety guarding may be required in some applications. This guarding must be provided by the end user as required. HFA assumes no responsibility for injuries or damages as a result of improper, unsafe or lack of guarding at the point of use.

When making adjustments to the unit legs (especially on larger units), be sure to support the unit properly. Because the legs move freely when the locking handles are loosened, the unit could drop suddenly, causing a hazardous condition.

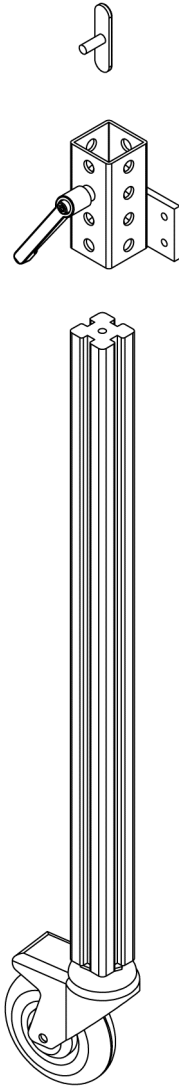
Pinch points have been minimized on this equipment; however, as with any moving machinery, wear no loose clothing and keep hands and feet clear of the moving components.

UNPACKING INSTRUCTIONS

1. Upon delivery, inspect packaging and contents for any signs of damage. If contents are damaged in any way, note the damages on the bill of lading and notify **HFA** immediately.
2. Remove unit from crate or pallet (if shipped via common carrier). Carefully inspect packaging for any cartons or other components before proceeding.
3. If unit was shipped with legs removed, install the legs following the instructions provided.
4. If unit was shipped with legs installed, simply loosen the adjustable levers, adjust the legs to the desired height, and tighten the adjustable levers.
5. Install the casters or leveling pads into the leg bottoms (if applicable).
6. Check for and tighten any fasteners that may have vibrated loose in shipping.
7. Turn power switch off and plug unit into the correct power source. If there is any question about voltage, amperage or phase, these can be verified by checking the serial number plate (located on the motor mount plate).
8. Make sure unit is clear of any objects or persons and push the **ON** or **START** button.
9. If unit fails to run, check power source. If power source is correct, call **HFA** for further troubleshooting instructions.

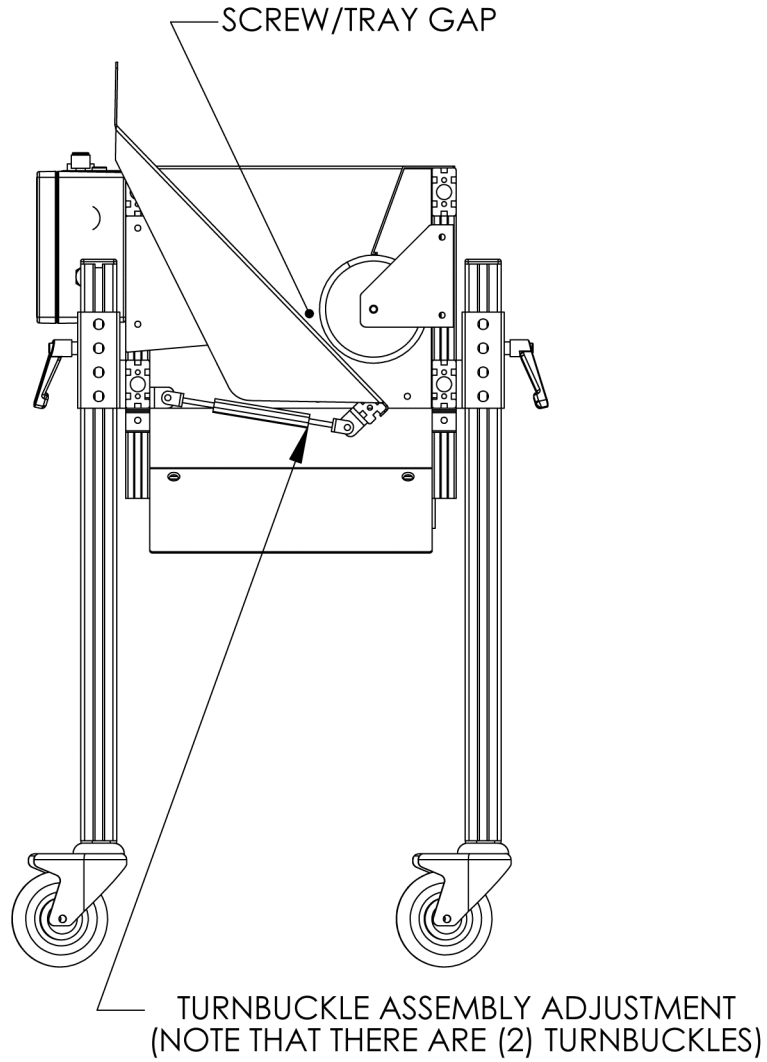
LEG ASSEMBLY

Figure 1



TRAY ADJUSTMENTS

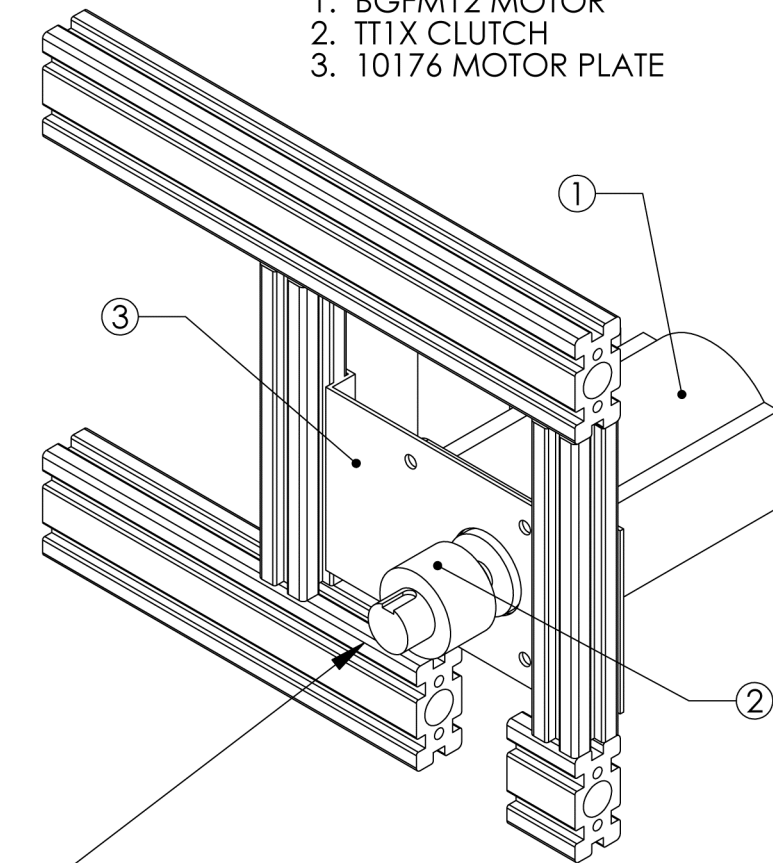
Figure 2



MOTOR/CLUTCH ASSEMBLY

Figure 3

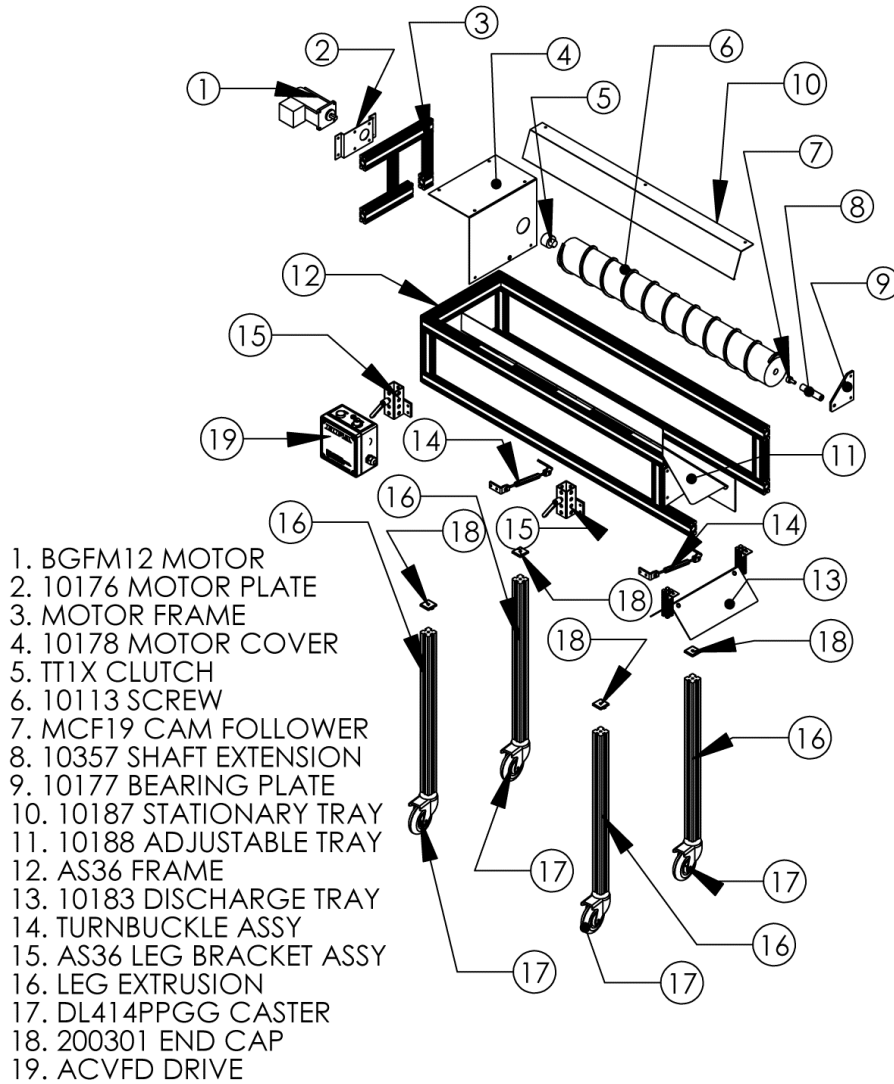
1. BGFM12 MOTOR
2. TT1X CLUTCH
3. 10176 MOTOR PLATE



TO REMOVE CLUTCH FROM MOTOR SHAFT,
LOOSEN (2) SETSCREWS WITH 3/32" ALLEN
WRENCH FROM BOTTOM SIDE. ONE SETSCREW
IS MATED WITH SHAFT FLAT.

AS-36 EXPLODED VIEW

Figure 4



REPLACEMENT PARTS

Description.....	Part Number
Brother Motor	BGFM12020TD2C
Caster.....	DL414PPGG
Clutch	TT1XSS
Variable Speed Control	ACVFD
Replacement Fingers	Fingers

OPTIONS

Figure 5
Reducer Bin

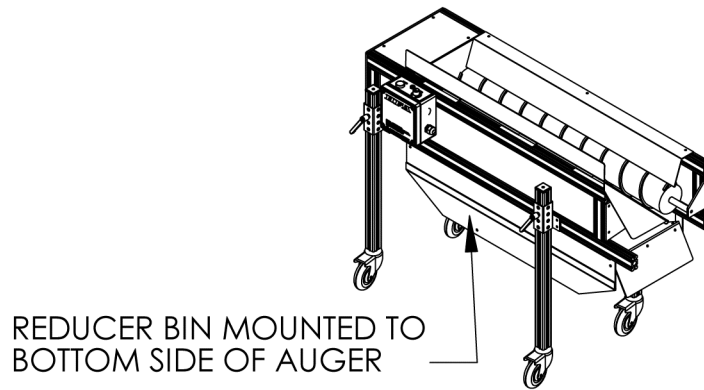
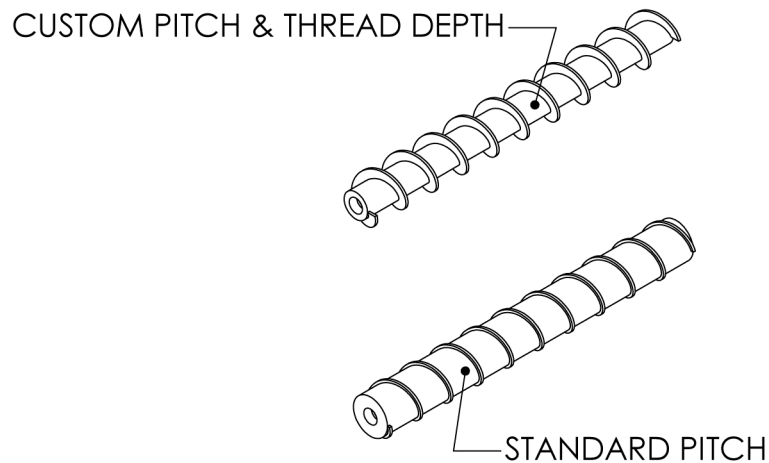


Figure 6
Custom Auger



LIMITED WARRANTY

WARRANTY—Harvard Factory Automation Inc. (referred to as “HFA”) warrants that this product will be free from defects in materials and workmanship for a period of two (2) years from the date of shipment thereof. Within this warranty period, HFA will replace or repair such products or components that are returned to: Harvard Factory Automation, Inc., 3 North Lincoln Street, Harvard, IL 60033 U.S.A.; and determined to be defective by HFA.

A limited one (1) year manufacturers warranty shall apply only to the variable speed drives and Brother gearmotors.

This warranty shall not apply to any product that:

- has been subject to misuse, abuse, negligence, or accident
- has been misapplied
- has been repaired
- has been improperly installed.

Harvard Factory Automation, Inc. is not responsible for the removal, installation or any other incidental expenses incurred from shipping the product to and from the repair point.

DISCLAIMER—The provisions listed above are HFA’s sole obligation and exclude all other warranties of merchantability for use, express or implied. HFA further disclaims any responsibility to the customer or to any person for injury to the person or damage or loss of property of value caused by any product that has been subject to misuse, negligence, accident, misapplication, or modification by unauthorized persons, improper installation.

LIMITATIONS OF LIABILITY—HFA shall under no circumstance be liable for any consequential damages, losses, or expense arising in connection with the use of, or inability to use HFA’s product for any purpose whatsoever.

An adjustment made under warranty does not void the warranty, nor does it extend the original warranty period. Products serviced or replaced on a no-charge basis during the warranty period carry the unexpired portion of the original warranty only.