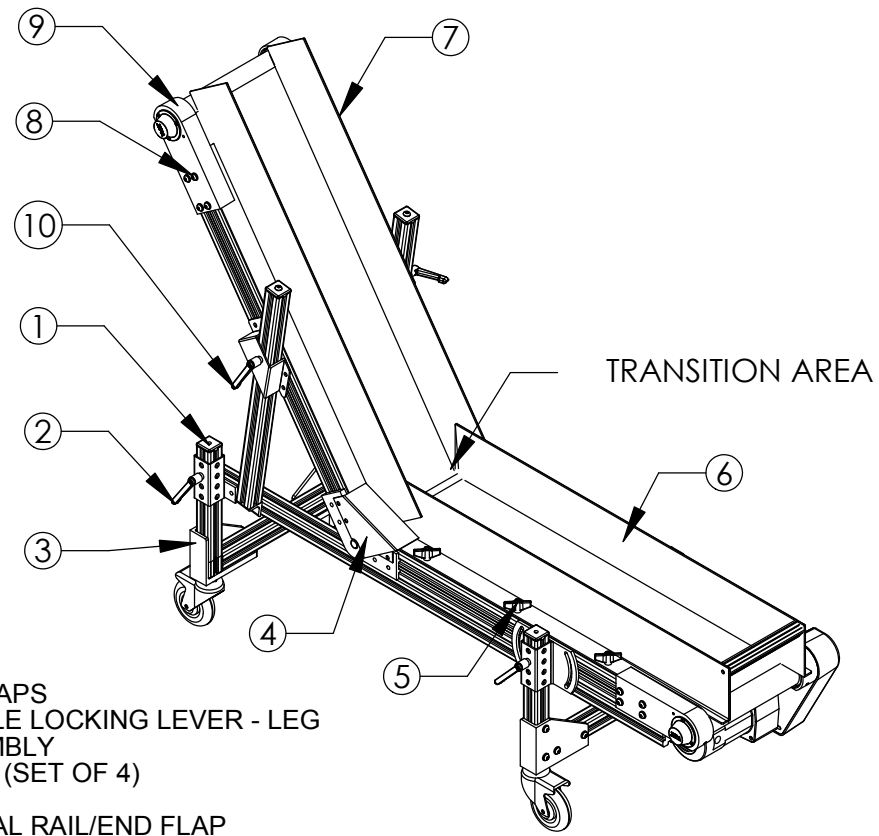


2230 ANGLE ADJUSTING

Fig. 3



- 1. LEG END CAPS
- 2. ADJUSTABLE LOCKING LEVER - LEG
- 3. LEG ASSEMBLY
- 4. HTI COVER (SET OF 4)
- 5. WINGNUT
- 6. HORIZONTAL RAIL/END FLAP
- 7. INCLINE RAIL
- 8. DISCHARGE TAKE-UP
- 9. TENSION SCREW
- 10. ADJUSTABLE LOCKING LEVER - ANGLE