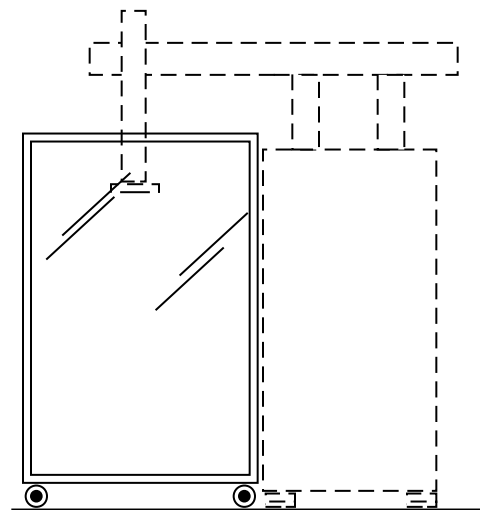
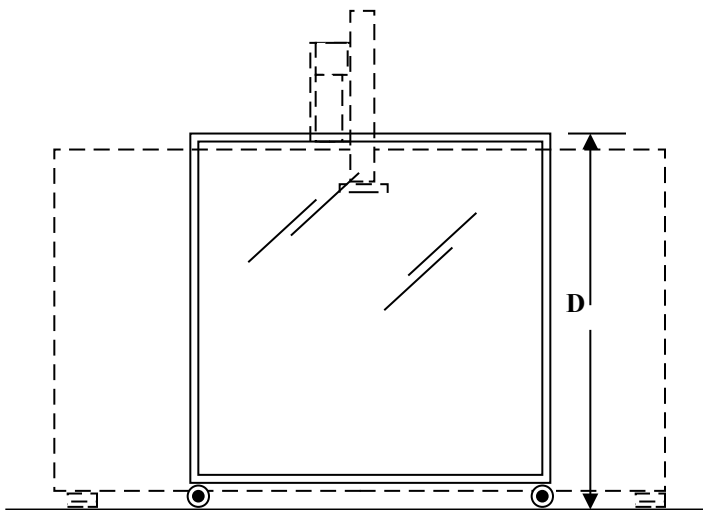
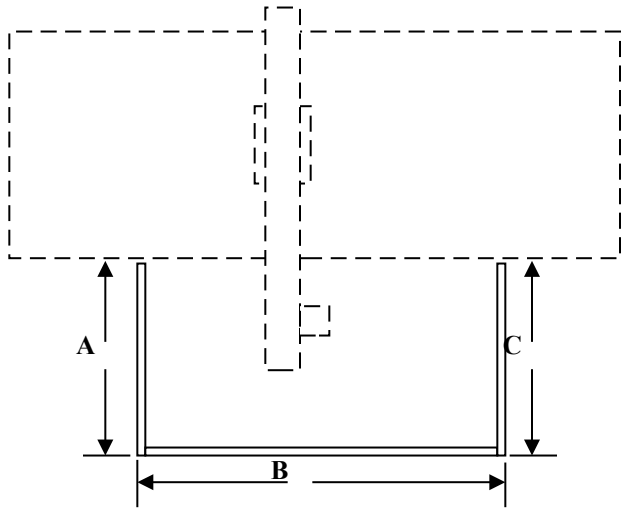


HFA ROBOT GUARD WORKSHEET



SPECIFICATIONS

DIMENSIONS...

A = _____ B = _____ C = _____ D = _____ (std. = 90")

WALL MATERIAL...

CLEAR LEXAN _____ AMBER ACRYLIC _____ YELLOW MESH _____

ACCESS DOOR...

SIZE = _____ LOCATION _____ SAFETY INTERLOCK _____

QTY. OF SIDES...

3-SIDED _____ 4-SIDED _____

OPENINGS IN WALL FOR CONVEYOR(S)...

SIZE = _____ LOCATION (describe) _____

MISC...

CASTERS (std.) _____ or PADS _____

CONVEYOR (if needed)...

LENGTH _____ WIDTH _____ HEIGHT _____ (OPTIONS) _____