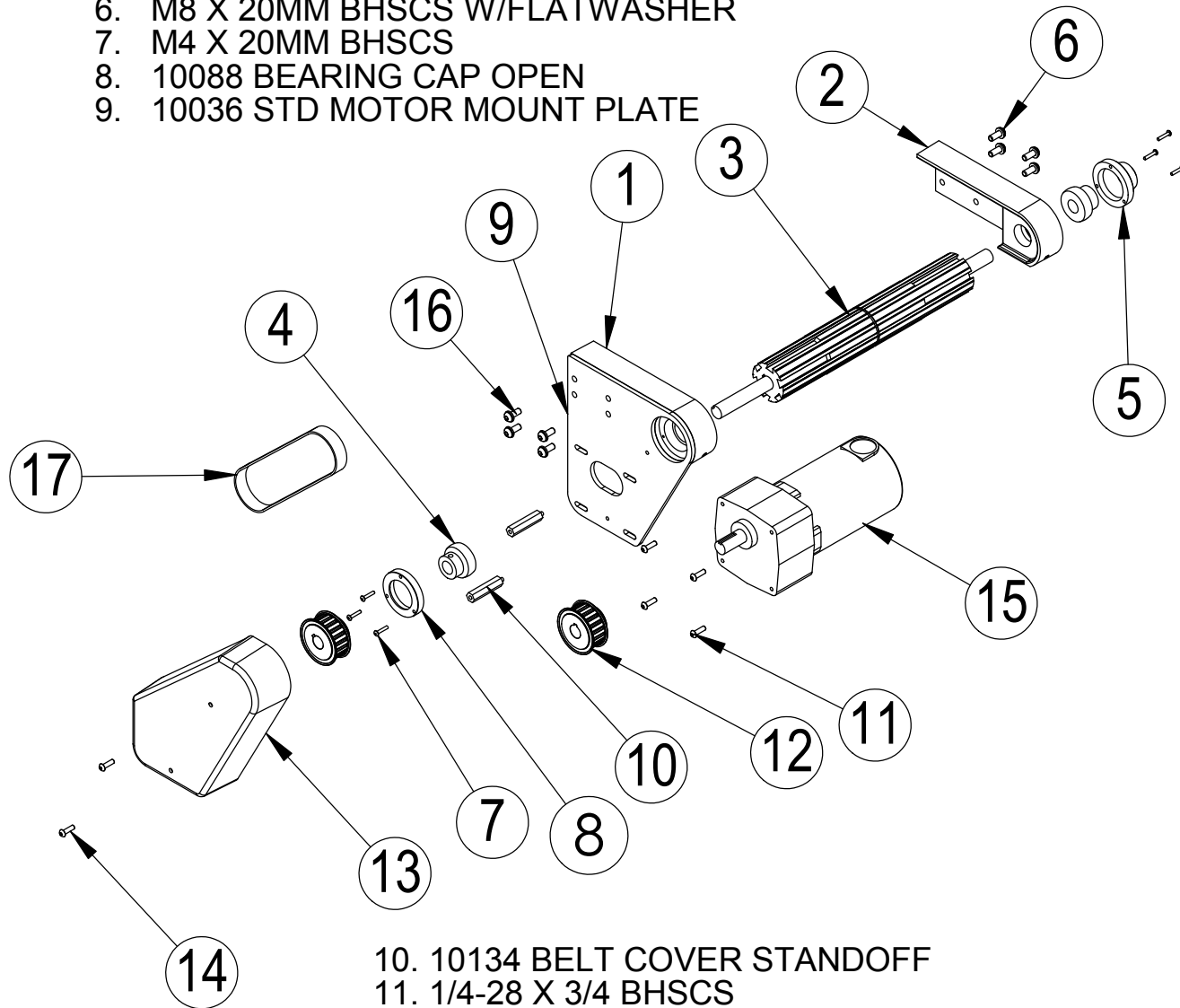


1. 10046L TAKE-UP CASTING LEFT SIDE
2. 10046R TAKE UP CASTING RIGHT SIDE
3. 10079D DRIVE PULLEY
4. RA012-RRB BEARING
5. 10032 BEARING CAP CLOSED
6. M8 X 20MM BHSCS W/FLATWASHER
7. M4 X 20MM BHSCS
8. 10088 BEARING CAP OPEN
9. 10036 STD MOTOR MOUNT PLATE



10. 10134 BELT COVER STANDOFF
11. 1/4-28 X 3/4 BHSCS
12. 20LB075 X 3/4 TIMING BELT PULLEY
13. 10049 TIMING BELT COVER LH (10123 RH)
14. M6 X 20MM SHCS
15. BODINE MOTOR (#2252 SHOWN)
16. M8 X 25MM BHSCS W/FLATWASHER
17. TIMING BELT 210L075