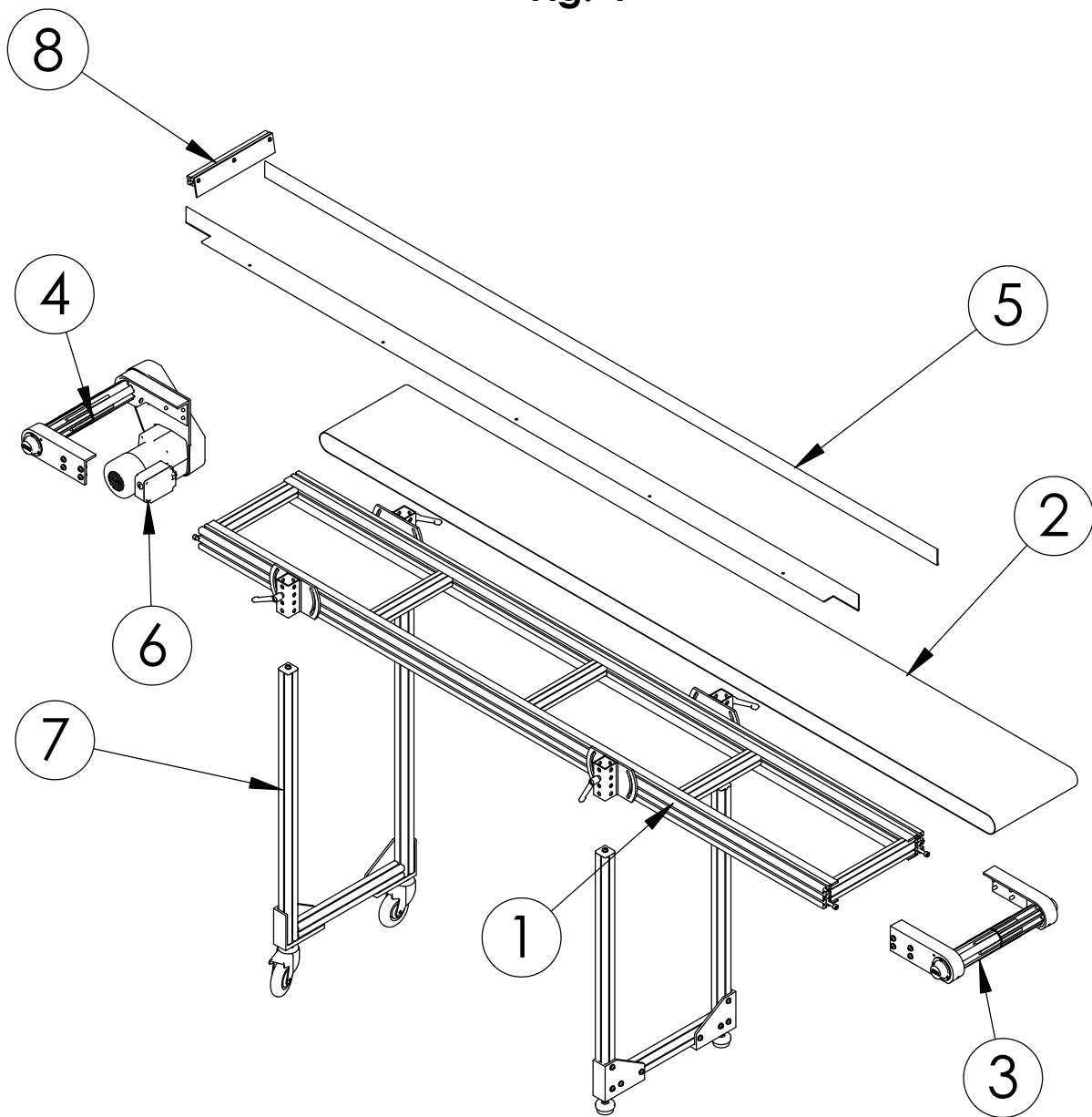


Fig. 4



1. FRAME ASSY
2. BELT
3. IDLE ASSEMBLY
4. DRIVE ASSEMBLY
5. SIDERAILS
6. MOTOR ASSEMBLY
7. LEG ASSEMBLY
8. END FLAP ASSY